

Service Trolleys

3 Tier Service Trolley with Handle 900 mm

ITEM # _____

MODEL # _____

NAME # _____

SIS # _____

AIA # _____



361206 (CPM093)

3-tier service trolley with handle, 900 mm, 100 kg max. load

Short Form Specification

Item No. _____

Constructed in 304 AISI stainless steel. Framework in mm25 tubing, completely welded. Seamless, sound-absorbing, shelves with double-folded edges. Shelves are welded to the framework. The handles are an extension of the load-bearing frame. N. 4 swivelling castors, two with brakes, mm125 in diameter, fitted with plastic bumpers. Shelves size mm900x600. Load capacity: 100 kg, uniformly distributed.

APPROVAL: _____

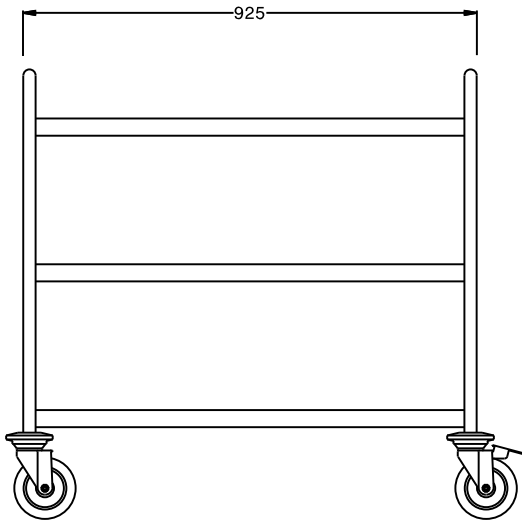
Main Features

- Framework in 25 mm tubing, completely welded.
- Load capacity of 100 kg uniformly distributed.
- Seamless sound-absorbing shelves with double-folded edges welded to the framework.
- Shelves size 900x600 mm.
- Strong, ergonomic handle is an extension of the load-bearing frame.
- 4 pivoting Ø 125 mm wheels, 2 of which with brakes, fitted with plastic bumpers

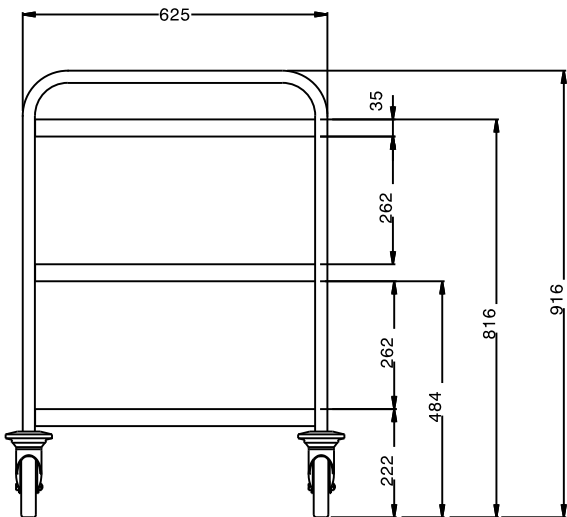
Construction

- Constructed entirely in 304 AISI stainless steel.

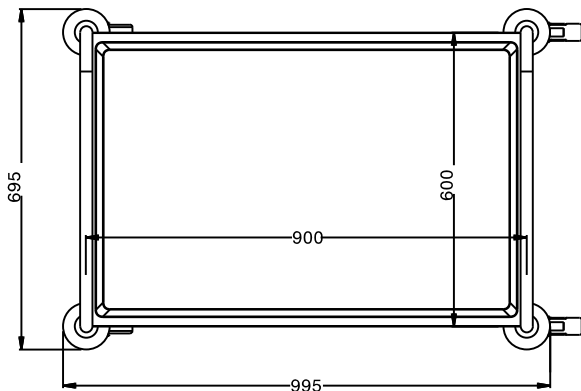
Front



Side



Top



Key Information:

External dimensions, Width:	361206 (CPM093)	995 mm
External dimensions, Height:		916 mm
External dimensions, Depth:		695 mm
Wheel material:		Zinc plated
Wheel diameter:		Ø 125
Net weight:		30 kg