

**Modular Cooking Range Line  
EVO700 Electric Grill Top HP  
800mm**

ITEM # \_\_\_\_\_

MODEL # \_\_\_\_\_

NAME # \_\_\_\_\_

SIS # \_\_\_\_\_

AIA # \_\_\_\_\_



372267 (Z7GREHGS0P)

Electric grill top, full module - HP

**Short Form Specification**

Item No. \_\_\_\_\_

Heating via incoloy armored heating elements positioned under the cooking grid. Cooking surface grids are easily removable for cleaning. Heating elements can be tilted. Integrated water tap. Fixed well with drain. Extra strength work top in heavy duty 1,5 mm stainless steel. Right-angled side edges to allow flush-fitting junction between units. WRAS compliant. 415 V version.

**Main Features**

- Incoloy armoured heating elements positioned under the cooking grid.
- Each bank of elements has an independent power regulation through a control knob.
- Power indicator light.
- Fixed well with drain to collect residual cooking juices and grease.
- Large drain protected by overflow and filter.
- Water must be added to well before operation.
- Led warning indicator to give an alarm when well is empty.
- Water filling tap with knob control.
- Removable stainless steel deflectors to recuperate heat and reduce cooking time.
- Stainless steel splash guards on sides of cooking surface. Splash guards can be easily removed for cleaning.
- Heating elements tilt 90° for easy cleaning.
- Removable 2mm thick steel U-shaped grids for fast heating of cooking surface.
- IPx4 water protection.
- Top configuration can be installed on refrigerated / freezer base with limited layout options.
- Suitable for countertop installation.

**Construction**

- Unit is 700mm deep to give a larger working surface area.
- Model has right-angled side edges to allow flush fitting joints between units, eliminating gaps and possible dirt traps.
- One piece pressed 1.5 mm work top in Stainless steel.
- All exterior panels in Stainless Steel with Scotch Brite finishing.

**Included Accessories**

- 1 of Scraper for HP electric grill PNC 206436

**Optional Accessories**

- Junction sealing kit PNC 206086
- Support for bridge type installation, 800 mm PNC 206137
- Support for bridge type installation, 1000 mm PNC 206138
- Support for bridge type installation, 1200 mm PNC 206139
- Support for bridge type installation, 1400 mm PNC 206140
- Support for bridge type installation, 1600 mm PNC 206141
- Frontal handrail 800 mm PNC 206167
- Large handrail (portioning shelf) 800 mm PNC 206186
- Frontal handrail 1200 mm PNC 206191
- Frontal handrail 1600 mm PNC 206192
- Right and left side handrails PNC 206240
- 2 supports runners for open base for 4 GN1/1 PNC 206257

APPROVAL: \_\_\_\_\_



## Modular Cooking Range Line EVO700 Electric Grill Top HP 800mm

- 2 side covering panels, height 250 mm, depth 700 mm PNC 206320
- Scraper for HP electric grill PNC 206436
- Drain extension for electric grill HP PNC 206437

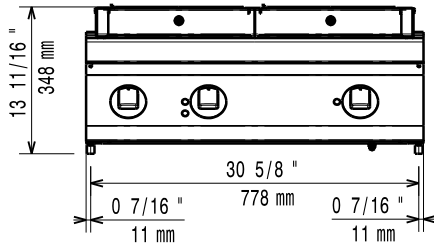


**Modular Cooking Range Line  
EVO700 Electric Grill Top HP 800mm**

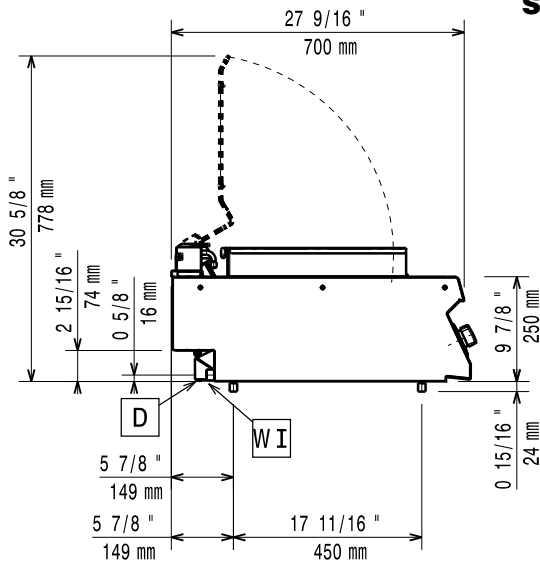
The company reserves the right to make modifications to the products without prior notice. All information correct at time of printing.

2022.03.03

**Front**

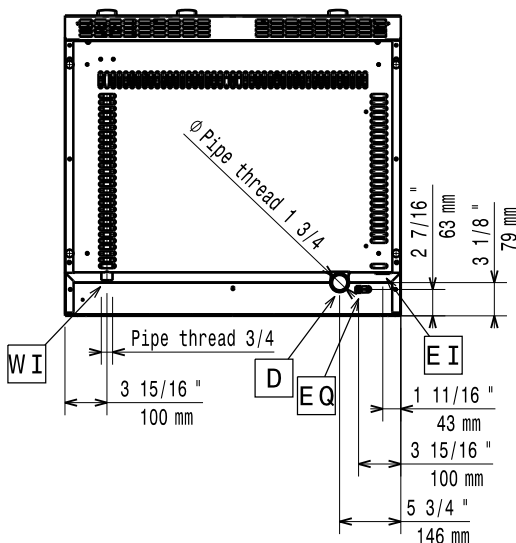


**Side**



- D** = Drain
- EI** = Electrical inlet (power)
- EQ** = Equipotential screw
- WI** = Water inlet

**Top**



**Electric**

<b>Supply voltage:</b>	<b>372267 (Z7GREHGS0P)</b>	400-415 V/3N ph/50/60 Hz
<b>Electrical power max.:</b>		7.5 kW
<b>Predisposed for:</b>		400-415V 3N~ 50/60Hz 6.9-7.5kW

**Key Information:**

<b>Cooking surface width:</b>	705 mm
<b>Cooking surface depth:</b>	400 mm
<b>External dimensions, Width:</b>	800 mm
<b>External dimensions, Depth:</b>	700 mm
<b>External dimensions, Height:</b>	250 mm
<b>Net weight:</b>	75 kg
<b>Shipping weight:</b>	65 kg
<b>Shipping height:</b>	530 mm
<b>Shipping width:</b>	820 mm
<b>Shipping depth:</b>	860 mm
<b>Shipping volume:</b>	0.37 m <sup>3</sup>

If appliance is set up either next to or against temperature sensitive furniture or similar, a safety gap of approximately 150 mm should be maintained or some form of heat insulation fitted.

**Certification group:** HEG7E2