

Standard Preparation 1400 mm Work Table with Upstand - Left Bowl

ITEM # _____

MODEL # _____

NAME # _____

SIS # _____

AIA # _____



132762 (TL1410SXPXN)

Work table with left/ hand bowl
and upstand, 1400mm

Short Form Specification

Item No. _____

The 50mm high worktop in 304 AISI stainless steel, 1mm in thickness, incorporates a layer of sound deadening material, has upturned edges and a reinforced, waterproof under panel. Integral radiused rear upstand, h=100mm. Square section legs 40x40mm on 1" height-adjustable feet in 304 AISI stainless steel.

Single-pressed bowl mm 400x400x200h, with overflow pipe and drain hole.

Main Features

- The table can be ordered with the drawer of 400 mm or 600 mm (optional accessory): thanks to the design of the drawer, additional drawers can be added to the first single drawer to create chest of 2, 3 or 4 drawers based on customer's needs.
- Sturdiness, stability and reliability of table accurately tested.

Construction

- 50 mm worktop in 304 AISI stainless steel, 10/10 in thickness with upturned edges and reinforced waterproof underpanel, incorporates a layer of sound deadening materials.
- Square section legs and 40 mm height-adjustable feet in 304 AISI stainless steel.
- Single-pressed bowl AISI 304 stainless steel bowl with overflow pipe and drain hole.
- Table top slots into legs without using screws to facilitate installation.
- 400 or 600 mm wide single drawer, chest of 4 drawers, lower shelf, three-sided underframe and set of castors as alternative to the feet, can be fitted as optional on all work tables.
- 40 mm-thick lower shelf (available as optional accessory on some models) slots easily into place at a height of 200 mm from the floor. Lower shelf is compulsory to install the chest of drawers.
- Delivered in knock-down package.
- 100 mm upstand with 10 mm radiused corner and 13 mm deep, designed to be used against a wall.
- Upstand back completely covered with Stainless Steel welded profile.

Optional Accessories

- Lower shelf for 1400mm tables and PNC 855146
- Set of 4 wheels (2 with brake) d. 100mm for tables and sinks (total height on wheels= 993 mm) PNC 855150
- 3-sided underframe for 1400mm tables PNC 855153
- Single drawer GN 1/1, 400mm PNC 855280
- Single drawer, 600mm PNC 855281
- Additional drawer, 600mm (to set up a chest of 2, 3, 4 drawers) PNC 855295
- Additional drawer GN 1/1, 400mm (to set up a chest of 2, 3, 4 drawers) PNC 855298
- Single plastic drain syphon 1,5" PNC 855306
- Mixer tap with spout, 3/4" single hole PNC 855319
- Elbow operated mixer tap with spout, 3/4" single hole PNC 855322
- Elbow operated mixer tap short spout, 3/4" single hole PNC 855323

APPROVAL: _____



Standard Preparation 1400 mm Work Table with Upstand - Left Bowl

- Elbow operated tap with spray arm and spout, single hole PNC 855324
- Premium mixer tap with spray arm, 3/4" single hole PNC 855326
- Foot operated Mixer tap with spout & with hot&cold pedals, 3/4" PNC 855328



Standard Preparation
1400 mm Work Table with Upstand - Left Bowl

The company reserves the right to make modifications to the products without prior notice. All information correct at time of printing.

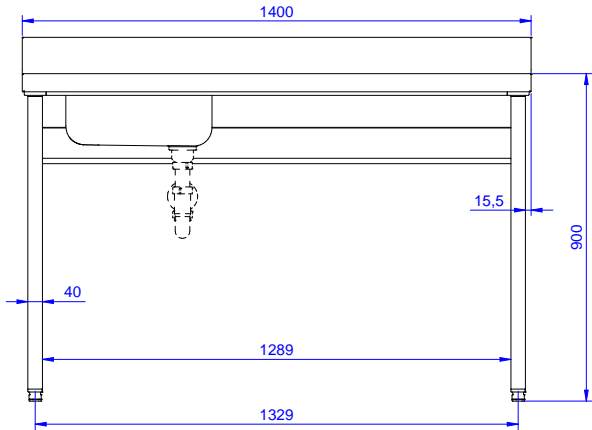
2022.05.06

Standard Preparation 1400 mm Work Table with Upstand - Left Bowl

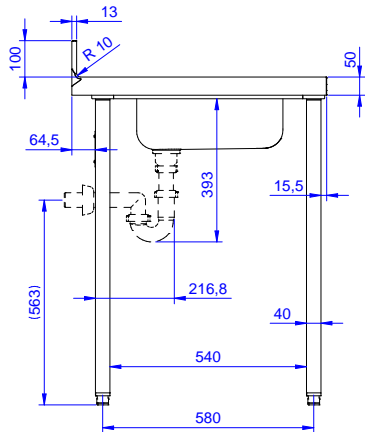
Key Information:

External dimensions, Width:	1400 mm
132762 (TL1410SXP)	
External dimensions, Depth:	700 mm
External dimensions, Height:	1000 mm
Upstand Dimensions, Height:	100 mm
Upstand Dimensions, Depth:	13 mm
Upstand Dimensions, Radius:	R=10
Bowls number	1
Bowl dimensions	400x400xH200
Worktop thickness:	50 mm
Net weight:	45 kg

Front

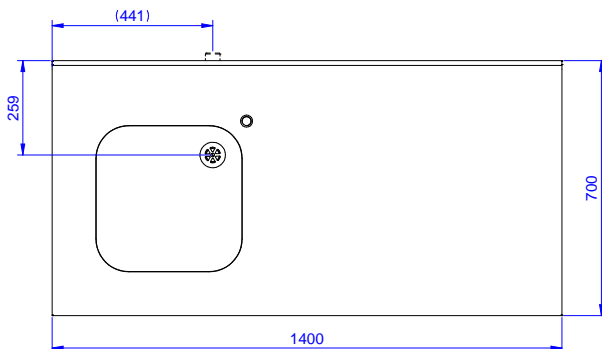


Side



D = Drain

Top



Standard Preparation
1400 mm Work Table with Upstand - Left Bowl

The company reserves the right to make modifications to the products without prior notice. All information correct at time of printing.