

**Standard Preparation
1600 mm Vegetables Processing/
Washing Table with Upstand**

ITEM # _____

MODEL # _____

NAME # _____

SIS # _____

AIA # _____

132766 (TLV1600PN)

Vegetables processing table with 2 polythene cutting boards, knife holder, 2 perforated top covers and upstand, 1600mm

Short Form Specification

Item No. _____

50mm high worktop in 304 AISI stainless steel , 2 bowls (684x303x180h mm). Integral radiused rear upstand, h=100mm. Square section legs 40x40mm on 1" height-adjustable feet in 304 AISI stainless steel. N. 1 polythene cutting board and scraping hole on front.

Main Features

- Sturdiness, stability and reliability of table accurately tested.

Construction

- Table can be equipped with a mobile bin with lid for waste disposal (optional accessory).
- 50 mm worktop in 304 AISI stainless steel, 10/10 in thickness with upturned edges and reinforced waterproof underpanel, incorporates a layer of sound deadening materials.
- Square section legs and 40 mm height-adjustable feet in 304 AISI stainless steel.
- Table can be equipped with a set of castors as an alternative to the feet.
- 100 mm upstand with 10 mm radiused corner and 13 mm deep, designed to be used against a wall.
- Upstand back completely covered with Stainless Steel welded profile.

Optional Accessories

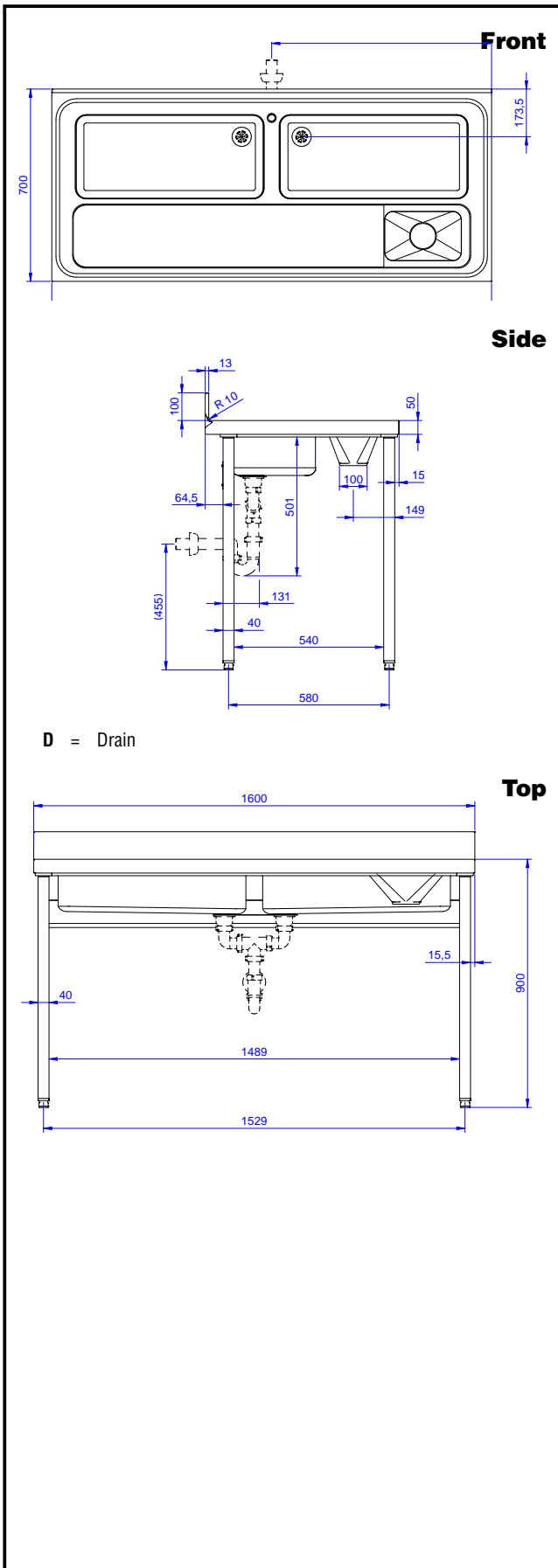
- Lower shelf for 1600mm tables and PNC 855147 sinks
- Set of 4 wheels (2 with brake) d. PNC 855150
100mm for tables and sinks (total height on wheels= 993 mm)
- 3-sided underframe for 1600mm PNC 855154
tables
- Single plastic drain syphon 1,5" PNC 855306
- Mixer tap with spout, 3/4" single PNC 855319
hole
- Elbow operated mixer tap with PNC 855322
spout, 3/4" single hole
- Elbow operated mixer tap short PNC 855323
spout, 3/4" single hole
- Elbow operated tap with spray arm PNC 855324
and spout, single hole
- Premium mixer tap with spray arm, PNC 855326
3/4" single hole
- Foot operated Mixer tap with spout PNC 855328
& with hot&cold pedals, 3/4"

APPROVAL: _____

Standard Preparation 1600 mm Vegetables Processing/ Washing Table with Upstand

Key Information:

External dimensions, Width:	1600 mm
132766 (TLV1600PN)	
External dimensions, Depth:	700 mm
External dimensions, Height:	1000 mm
Upstand Dimensions, Height:	100 mm
Upstand Dimensions, Depth:	13 mm
Upstand Dimensions, Radius:	R=10
Worktop thickness:	50 mm
Net weight:	60 kg
Number of cutting boards:	2
Cutting board dimensions - width:	430 mm
Cutting board dimensions - depth:	640 mm
Cutting board dimensions - height:	25 mm



Standard Preparation
1600 mm Vegetables Processing/Washing Table with Upstand

The company reserves the right to make modifications to the products without prior notice. All information correct at time of printing.