

**Standard Preparation
1400 mm Sink with 1 Bowl &
Right Drain**

ITEM # _____

MODEL # _____

NAME # _____

SIS # _____

AIA # _____



132806 (LG1416DXPN)

Sink unit with 1 bowl
600x500mm and right hand
drainer, 1400mm

Short Form Specification

Item No. _____

Made from 304 AISI stainless steel. The 50mm high worktop in 304 AISI stainless steel, 1mm in thickness, is sound-deadened and has an overflow rim and welded corners. Integral rear upstand, h=100mm, with 8mm radius. All-round apron. Square section legs 40x40mm on 1" height-adjustable feet (+/-20mm)
Bowl mm600x500x300h with overflow pipe and 2" drain hole; right hand drainer.

Construction

- 50 mm worktop in 304 AISI stainless steel, 10/10 in thickness with overflow rim along the top.
- Square section legs and 40 mm height-adjustable feet in 304 AISI stainless steel.
- Sink tops easily slotted onto the legs and taps are easily installed from the rear.
- Delivered in knock-down package.
- Wide range of taps are available to suit every need.
- Drainage area suitable for drying operations
- 100 mm upstand with 10 mm radiused corner and 13 mm deep, designed to be used against a wall.

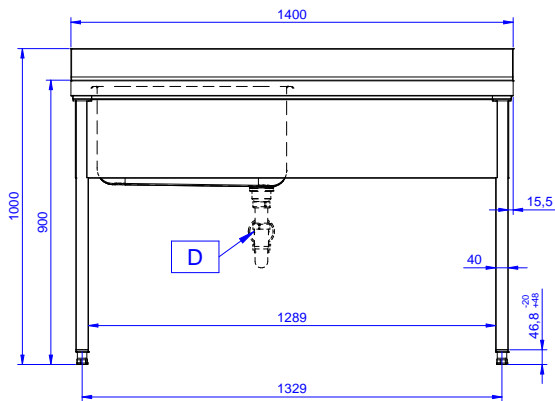
Optional Accessories

- Lower shelf for 1400mm tables and PNC 855146
- Set of 4 wheels (2 with brake) d. 100mm for tables and sinks (total height on wheels= 993 mm) PNC 855150
- 3-sided underframe for 1400mm tables PNC 855153
- Mixer tap with spout, 3/4" single hole PNC 855319
- Elbow operated mixer tap with spout, 3/4" single hole PNC 855322
- Elbow operated mixer tap short spout, 3/4" single hole PNC 855323
- Elbow operated tap with spray arm and spout, single hole PNC 855324
- Premium mixer tap with spray arm, 3/4" single hole PNC 855326
- Foot operated Mixer tap with spout & with hot&cold pedals, 3/4" PNC 855328
- Single plastic drain syphon 2" for sinks PNC 895313

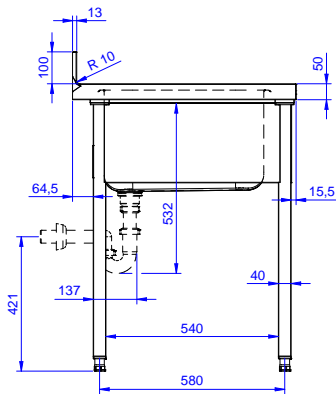
APPROVAL: _____

**Standard Preparation
1400 mm Sink with 1 Bowl & Right Drain**

Front

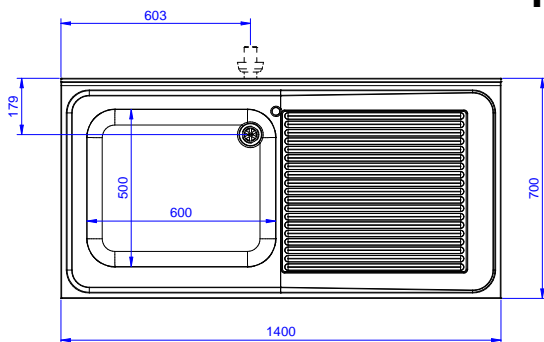


Side



D = Drain

Top



Key Information:

External dimensions, Width:	132806 (LG1416DXPN)	1400 mm
External dimensions, Depth:		700 mm
External dimensions, Height:		1000 mm
Upstand Dimensions, Height:		100 mm
Upstand Dimensions, Depth:		13 mm
Upstand Dimensions, Radius:		R=10
Bowls number		1
Bowl dimensions		600x500xH320
Worktop thickness:		50 mm
Net weight:		46 kg