

## Standard Preparation 1200 mm Sink with 2 Bowls

ITEM # \_\_\_\_\_

MODEL # \_\_\_\_\_

NAME # \_\_\_\_\_

SIS # \_\_\_\_\_

AIA # \_\_\_\_\_



132808 (LG1225PN)

Sink unit with 2 bowls  
500x500mm, 1200mm

### Short Form Specification

**Item No.** \_\_\_\_\_

Made from 304 AISI stainless steel. The 50mm high worktop in 304 AISI stainless steel, 1mm in thickness, is sound-deadened and has an overflow rim and welded corners. Integral rear upstand, h=100mm, with 8mm radius. All-round apron. Square section legs 40x40mm on 1" height-adjustable feet (+/-20mm)

N. 2 bowls mm500x500x300h with overflow pipe and 2" drain hole.

### Construction

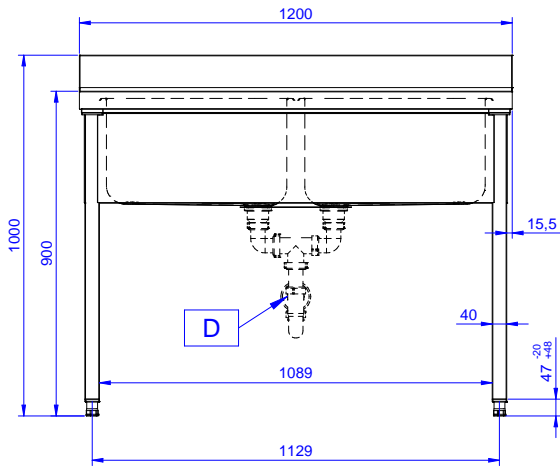
- 50 mm worktop in 304 AISI stainless steel, 10/10 in thickness with overflow rim along the top.
- Square section legs and 40 mm height-adjustable feet in 304 AISI stainless steel.
- Sink tops easily slotted onto the legs and taps are easily installed from the rear.
- Delivered in knock-down package.
- Wide range of taps are available to suit every need.
- 100 mm upstand with 10 mm radiused corner and 13 mm deep, designed to be used against a wall.

### Optional Accessories

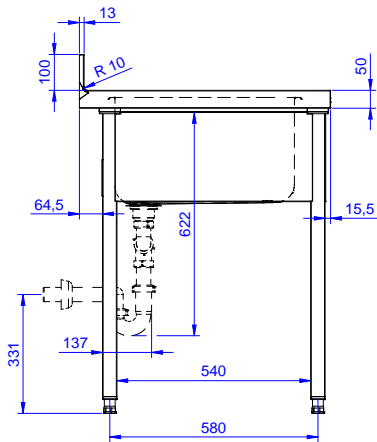
- Lower shelf for 1200mm tables and PNC 855145   
sinks and for 1800 mm  
undercounter dishwasher sinks
- Set of 4 wheels (2 with brake) d. PNC 855150   
100mm for tables and sinks (total  
height on wheels= 993 mm)
- 3-sided underframe for 1200mm PNC 855152   
tables
- Mixer tap with spout, 3/4" single PNC 855319   
hole
- Elbow operated mixer tap with PNC 855322   
spout, 3/4" single hole
- Elbow operated mixer tap short PNC 855323   
spout, 3/4" single hole
- Elbow operated tap with spray arm PNC 855324   
and spout, single hole
- Premium mixer tap with spray arm, PNC 855326   
3/4" single hole
- Foot operated Mixer tap with spout PNC 855328   
& with hot&cold pedals, 3/4"
- Single plastic drain syphon 2" for PNC 895313   
sinks

APPROVAL: \_\_\_\_\_

**Front**

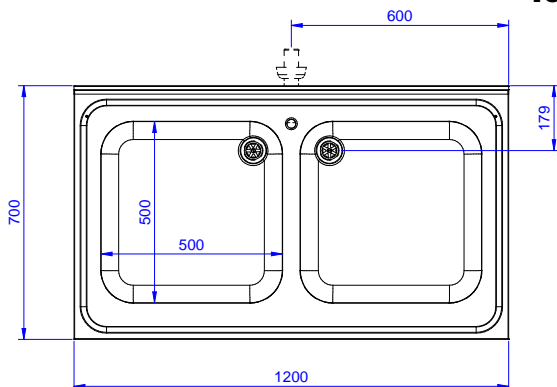


**Side**



D = Drain

**Top**



## Key Information:

External dimensions, Width:	1200 mm
132808 (LG1225PN)	
External dimensions, Depth:	700 mm
External dimensions, Height:	1000 mm
Upstand Dimensions, Height:	100 mm
Upstand Dimensions, Depth:	13 mm
Upstand Dimensions, Radius:	R=10
Bowls number	2
Bowl dimensions	600x500xH320
Worktop thickness:	50 mm
Net weight:	42 kg